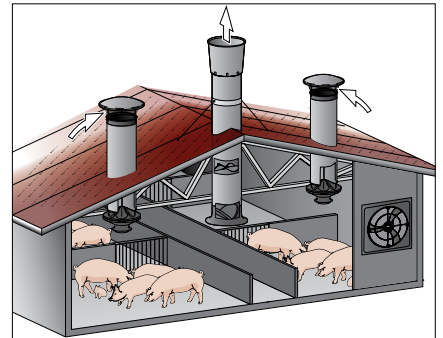




## REVENTA® Exhaust air duct with Ø 370 to 1,270 mm- easy to assemble, flow and energy efficient



### Advantages

- Large selection of duct diameters from 370 to 1,270 mm
- Air capacity from 5,000 up to 52,000 m<sup>3</sup>/h (0 Pa)
- Sound reduction up to 5 dB(A), with the REVENTA® duct silencer up to 12 dB(A)
- Perfect insulation of 0.022W/mK to avoid condensation
- Covering layers made from reinforced polyester, chemical resistant and easy to clean
- Extensive components programme

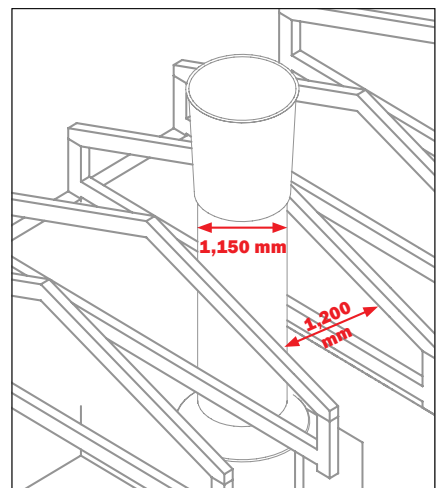
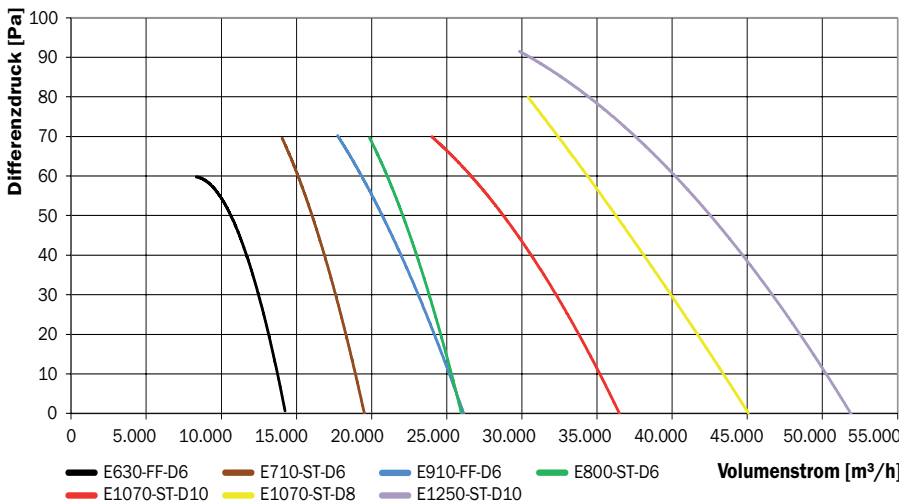
The contaminated stable air is optimally transported outside with the proven REVENTA® ventilation system. Irrespective of the individual farm size, the REVENTA® meets all requirements for an efficient exhaust air system. That saves energy and provides for animal-friendly climate.

The ducting system is comprised of a "sandwich construction" with highly insulated polyurethane rigid foam in the core and a hard GRP outer and inner coating. Perfect insulation impedes the formation of condensation water. The air duct is available in lengths of

1,000 mm and 1,500 mm. At 1,500 mm, fewer adhesive joints are required, which shortens the installation process. In addition to our extensive duct portfolio, scope of service includes the most important components for efficient exhaust air conveyance:

- Diffusers
- Roofing panels
- Economical fans as module cartridge
- Module seal flaps
- Intake nozzles, etc.

### Air capacities, exhaust air duct Ø 730, 820, 920, 1,090 and 1,270 mm



Pipe diameter 1,090 mm fits perfectly between the trusses.

Dimensions in mm Further flow volume diagrams on request.



## A modular system with great capacity and energy balance!

The contaminated stable air is optimally transported outside with the proven REVENTA® ventilation system. That saves energy and provides for animal-friendly climate.

»Module fan« rotary current	Module interior diameter	Air flow (m³/h) at 0 Pa	Capacity / V at 0 Pa [W/(1,000m³/h)]
M500-ST-D4	Ø 520 mm	9,100	49.0
M560-ST-D6	Ø 580 mm	10,000	—
E630-FF-D6	Ø 650 mm	14,200	34.9
M710-ST-D6	Ø 730 mm	19,500	35.7
M800-ST-D6	Ø 820 mm	26,000	39.7
E910-FF-D6	Ø 920 mm	26,100	30.8
M910-SI-D6-5	Ø 920 mm	28,400	36.9
M1070-ST-D8	Ø 1,090 mm	45,100	33.4
M1070-ST-D10	Ø 1,090 mm	36,500	31.3
M1250-ST-D10	Ø 1,270 mm	52,300	37.1

»AGROFLEX®« - duct (3 m) with PU intake nozzle, diffuser and shutter  
 SI = Sickle-shaped impeller W = 230V/50Hz 4/6/8 = Number of pole pairs  
 ST = Standard impeller D = 400V/50Hz  
 FF = Owllet impeller

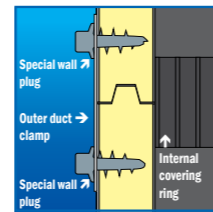
### The duct system »AGROFLEX®« 1



The »AGROFLEX®« duct system comprises of a "sandwich construction" with a highly insulated polyurethane rigid foam at the core and a rigid GRP exterior and interior coating. It is available in the lengths 1,000 mm and 1,500 mm and duct diameters 370 to 1,270 mm.

- Air capacity: 5,000 - 52,000 m³/h [0 Pa]
- Lengths 1,000 mm and 1,500 mm available
- No condensation
- Easy to install
- Hygienically cleaned easily
- Safety through the »Pro assembly kit«

### 2 Pro assembly kit

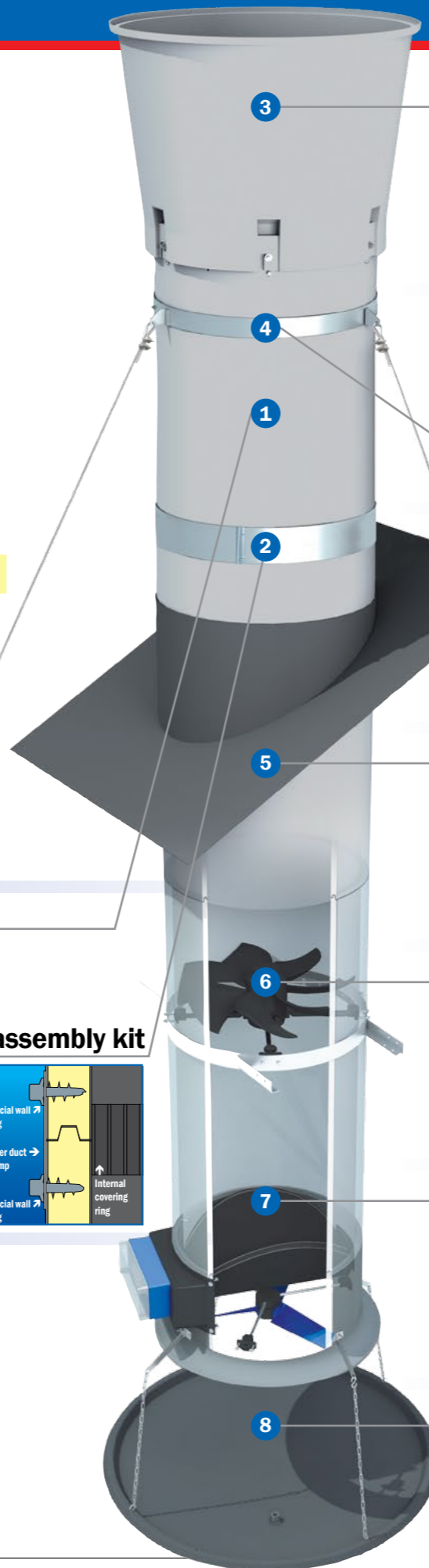


### The duct system »vario clip®«



That transport-optimised variant of the »AGROFLEX®« system: As half-pipe segments, the transport volume of the pipes is reduced by more than 50%. The segments are »clipped« without additional duct clips or duct clips by means of a PVC profile.

- Safe clip connection
- Easy to assemble
- Reduction of the transport volume by up to 50%!



### 3 Intake nozzle and diffuser

The airflow is optimally guided through the diffuser and intake nozzle. In the diffuser, the new contour with integrated support points provides for an even simpler assembly.

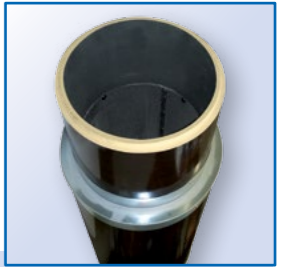
- Increase of the air flow by up to 15%
- This means an energy saving of up to 15%



### Duct silencers

It reduces the sound pressure level demonstrably by up to 12 dB(A)! Already 3 dB(A) means a reducing the perceived loudness.

- TÜV tested
- Retrofitting in existing exhaust air duct systems possible



### 4 Anchoring ring and storm bracing

With the REVENTA® anchoring ring and the suitable bracing, each static-prescribed bracing can be implemented reliably.

- We would be happy to support you with the precise planning and development of your respective project.



### 5 a »GITTEX«, b universal and c GFK roofing panel

The roofing panel made of UV-stabilised, glass fibre reinforced polyester is specifically adapted to the existing roof. The »GITTEX« roofing panel is pre-fabricated with self-adhesive mesh insert with sealing tape for fast installation.

- Appropriate aesthetics and leak-tightness (approved in accordance with DIN E 12691)
- »GITTEX« is made from a self-adhesive rooftop panel.



### 6 »Fan module« fan cartridge

Completely pre-assembled module for duct diameters 420 - 1,270 mm / 5,000 - 52,000 m³/h [0 Pa] with integrated REVENTA® fan ready for connection. Also available with integrated intake nozzle.

- Increases the air capacity
- For a reduction in costs during planning and assembly.
- Easily cleaned



### 7 Shutter module MVSK with measuring fan

As a measuring and throttling unit in the exhaust air duct. The measuring fan is universally usable on every suitable climate computer and measures the exact airflow of every exhaust air unit.

- Better climate control
- Optimal exhaust air rate
- Higher saving potential



### 8 Water collecting basin

Made of UV-stabilised, glass-fibre reinforced polyester for suspension below the air duct.



### Light trap

It reduces the penetration of daylight to a minimum.

Measurement range type	Minimum (m³/h)	Maximum (m³/h)
Ø 420 mm	250	6,000
to		
Ø 920 mm	1,050	28,960

The measurements were performed in a REVENTA® shutter module with fully opened shutter segments. Ø 1,090/1,270 mm on request.

# Exhaust air



## Technical data »Fan module« three-phase / alternating current

Type	Module Internal Ø	Speed revs per min	Voltage V	* Current A	** Capacity W	Air flow (m³/h) Pressure (Pa)										Capacity/V at 0 Pa [W/(1,000m³/h)]		
						0	0	30	30	50	50	80	max.	Fan	Duct			
<b>Three-phase current</b>						R	AGROFLEX	R	AGROFLEX	R	AGROFLEX	R	AGROFLEX	R	R	R	R	AGROFLEX
M500-ST-D4	520	1,360	400	1.20	530	8,300	9,100	7,800	8,300	7,500	7,600	6,800	4,900	(130 Pa)	53.4	49.0		
M560-ST-D6	580	890	400	0.74	360	9,000	10,000	8,000	8,800	7,100	7,600	—	5,700	(70 Pa)	40.0	—		
M630-FF-D6	650	930	400	1.25	540	12,300	14,200	11,100	12,500	10,200	10,600	—	7,400	(78 Pa)	39.3	34.9		
M710-ST-D6	730	890	400	1.80	890	17,000	19,500	15,800	17,600	14,800	16,000	13,100	11,000	(110 Pa)	40.9	35.7		
M800-ST-D6	820	900	400	2.90	1,300	22,900	26,000	21,400	23,900	20,300	22,000	18,700	14,200	(125 Pa)	45.0	39.7		
M910-FF-D6	920	880	400	1.90	920	23,500	26,100	20,900	23,100	19,100	20,700	15,600	12,500	(95 Pa)	35.5	30.8		
M910-SI-D6-5	920	840	400	2.60	1,300	24,800	28,400	22,500	26,300	21,100	24,700	18,800	11,500	(139 Pa)	42.3	36.9		
M1070-ST-D8	1,090	700	400	3.60	1,600	—	45,100	—	39,900	—	36,300	—	—	—	—	—	—	33.4
M1070-ST-D10	1,090	540	400	3.20	1,300	—	36,500	—	32,300	—	28,800	—	—	—	—	—	—	31.3
M1250-ST-D10	1,270	500	400	4.50	2,200	46,100	52,300	41,700	46,200	38,900	42,500	33,100	29,600	(90 Pa)	42.1	37.1		
<b>Alternating current</b>																		
M500-ST-W4	520	1,310	230	2.70	510	8,000	8,700	7,400	7,900	7,000	7,300	6,500	5,000	(115 Pa)	52.4	48.2		
M560-ST-W6	580	880	230	1.95	430	8,900	9,900	8,000	8,600	7,100	7,200	—	5,800	(70 Pa)	48.3	—		
M630-FF-W6	650	890	230	2.50	520	12,200	13,900	10,700	12,400	9,700	10,500	—	6,000	(74 Pa)	40.2	35.8		
M710-ST-W6	730	850	230	4.10	890	16,100	18,500	15,000	16,600	14,000	14,800	12,000	10,900	(95 Pa)	44.7	38.8		
M800-ST-W6	820	830	230	7.00	1,350	23,000	25,600	21,200	22,900	20,000	20,600	18,100	12,100	(115 Pa)	43.7	39.3		
M910-FF-W6	920	940	230	4.20	940	22,800	25,300	19,700	22,000	17,500	18,600	13,400	11,900	(88 Pa)	38.4	33.5		

\* Rated current at the separation point of the fan characteristic curve; \*\* Rated power consumption

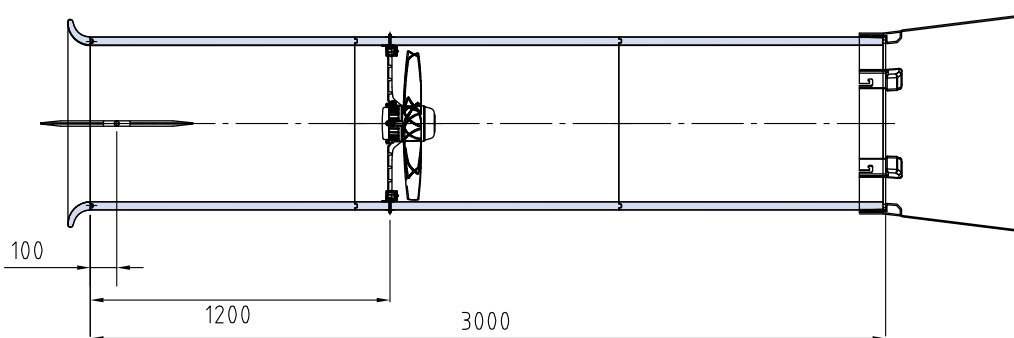
R = Frame fan measured in full duct without contact protection, version A per ISO 5801

»AGROFLEX«®; measured in accordance with drawing below

SI = Sickle-shaped impeller FF = Owllet impeller W = 230V/50Hz 4/6/8 = Number of pole pairs  
ST = Standard impeller D = 400V/50Hz

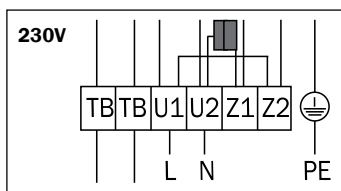
Technical data for »AGROFLEX«® - exhaust air duct Ø 420/470 mm on request.

## »AGROFLEX«® – duct (3 m) with PUR intake nozzle, diffuser and shutter



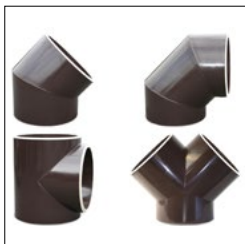
Tested on the certified REVENTA® test bench

## Connection circuit diagram



1 ~ Motor with operating capacitor  
U1 brown / U2 blue / Z1 black / Z2 orange

## »Extras + accessories«



Formed pieces/curve



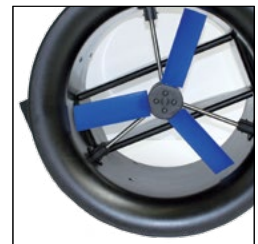
Light trap



Duct silencers



PU adaptor ring  
Transition »Full duct« to AGROFLEX® and »vario-clip«



Shutter module with measuring fan